

TITANIUM Adjustable Total

TI: Titanium ASTM F67 Gr. 2

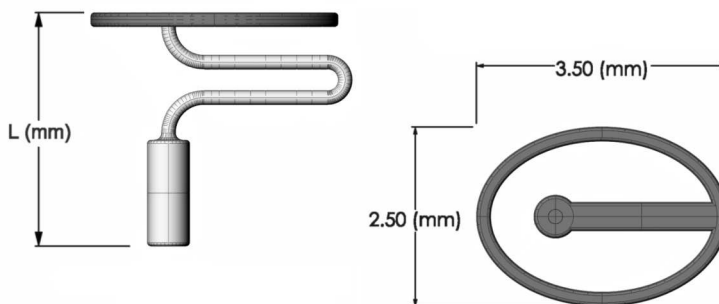
CODE
TAP 07.63

PATENT PENDING

- WINDOWED (OPENED) FLANGE – it allows the clear view of the below surgery field
- TITANIUM STRUCTURE – Titanium is a bioinert material, largely tested in surgery fields and with high mechanical resistance and lightness
- EXTENSIBLE (ADJUSTABLE) STEM – the stem is extensible through the traction and shortable through the compression
- GOOD SOUND WAVE CONDUCTIVITY – oscillometric tests using Laser/Doppler show the unchanged conductivity of the sound wave in all stem configurations



It would be better to put an autologous cartilage sheet between the prosthesis and neotympanum reducing possibility of encapsulation and rejection.



Code	L (mm)
TAP 07.63	From 3.00 to 8.00

Wire \varnothing : 0.20 mm
Columella \varnothing : 0.60 mm
Weight: 5.20 mg

Packaging

Dispenser box containing 6 sterile, individually packaged implants.