

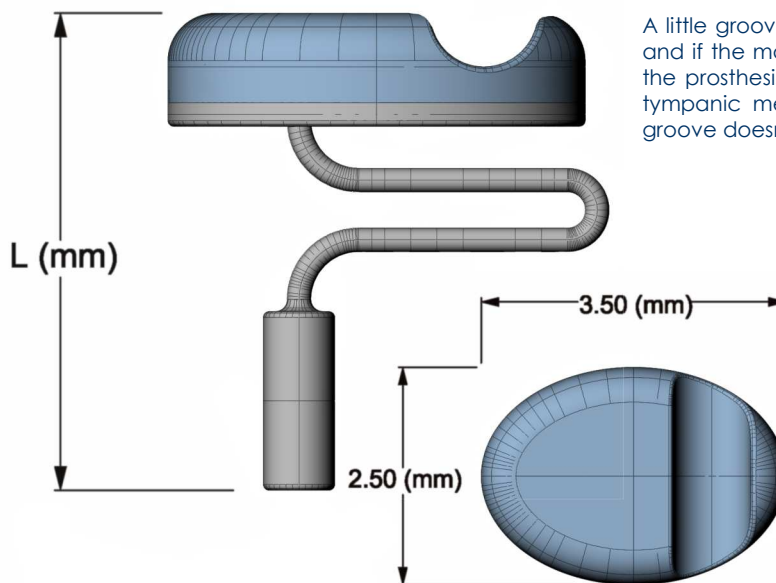
TITANIUM / HAP Adjustable Total

CODE
TAP 07.67

PATENTED

TI: Titanium ASTM F67 Gr. 2
HAP: Porous Hydroxylapatite

- HAP FLANGE – HAP flange can be placed directly in touch with tympanic membrane
- TYMPANUM FIXATION – Fixation of the prosthesis to the tympanum, led by the porosity, is possible thanks a double work: fisical link that fibroblasty creates entering the pores and chemical link thanks to hydroxilapatite bioactivity
- TITANIUM STRUCTURE – Titanium is a bioinert material, largely tested in surgery fields and with high mechanical resistance and lightness
- EXTENSIBLE (ADJUSTABLE) STEM – the stem is exetnsible through the traction and trimmable through the compression
- GOOD SOUND WAVE CONDUCTIVITY – oscillometric tests using Laser/Doppler show the unchanged conductivity of the sound wave in all stem configurations (total/partial extension)



A little groove is predisposed for the malleus handle and if the malleus handle is not in site, the flange of the prosthesis can be put directly in touch with the tympanic membrane: the smoothed edges of the groove doesn't create decubitus.

Code	L (mm)
TAP 07.67	From 4.00 to 8.00

Wire \varnothing : 0.20 mm
Columella \varnothing : 0.60 mm
Weight: 25,5 mg

Packaging

Dispenser box containing 6 sterile, individually packaged implants.