

PTFE Ventilation Tubes

PTFE: polytetrafluorethylene

In this type of middle ear ventilation tube, the flange which will protrude into the external auditory canal is larger than the flange inserted into the middle ear.

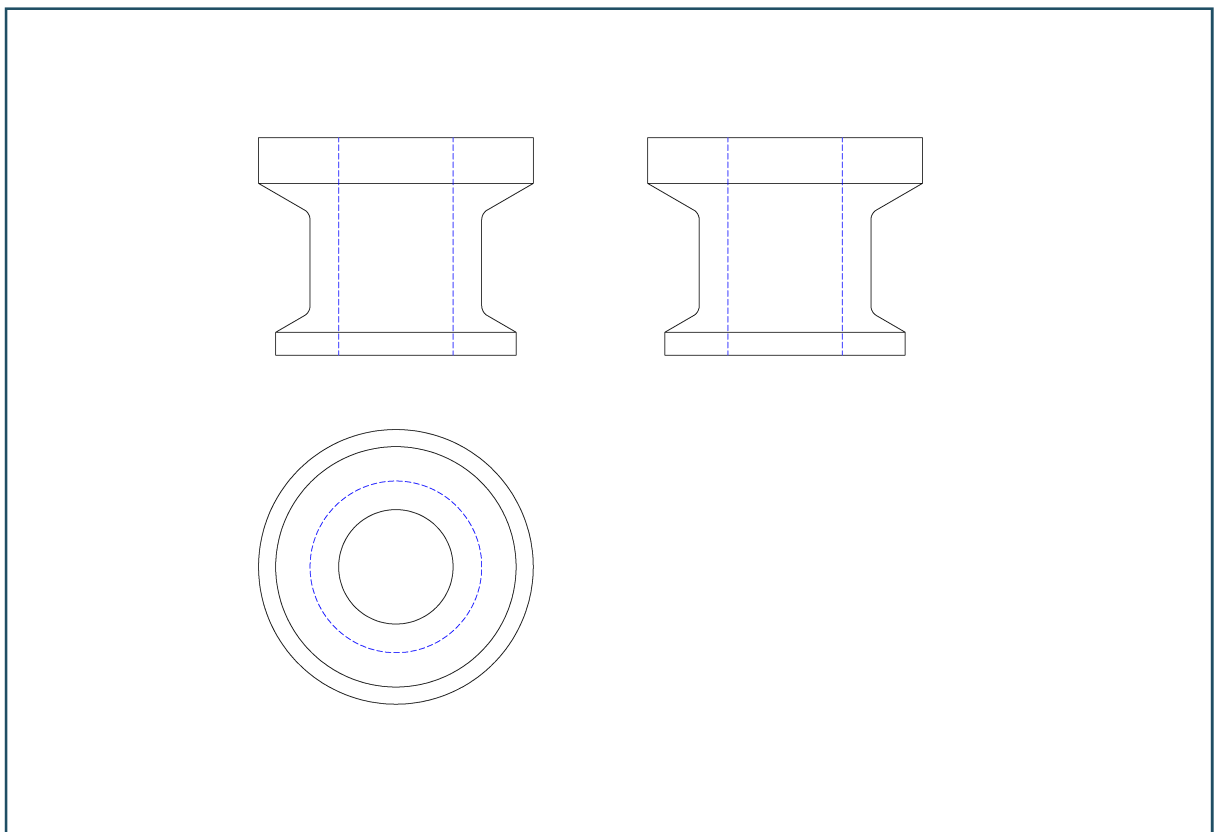
Thanks to its shape, in case of displacement the tube can fall only into the external ear.

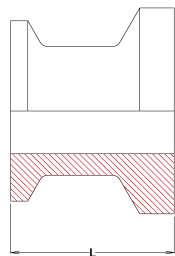
The edge of the external flange is easily gripped by microforceps during the insertion into the tympanic membrane.

The large opening guarantees good drainage.

AUDIO Technologies manufactures a surgical knife for myringotomy (Catalog Number TPL 04.01) equipped with a blade which has been calculated precisely, so that it can make the optimal incision required for the firm insertion of these ventilation tubes.

Upon request, ventilation tubes are provided with a recovery thread.





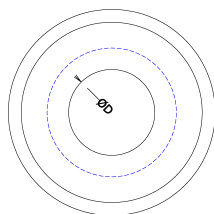
With recovery thread		
Inner diameter (D) mm	Total length (L) mm	Code
0.90	1.75	TPL 04.00.09CF
1.00	1.90	TPL 04.00.10CF
1.20	2.10	TPL 04.00.12CF

Dimensions

Inside diameter (mm):
0.90 - 1.00 - 1.20

Packaging

Dispenser box containing 6 sterile, individually packaged tubes.



Without recovery thread		
Inner diameter (D) mm	Total length (L) mm	Code
0.90	1.75	TPL 04.00.09SF
1.00	1.90	TPL 04.00.10SF
1.20	2.10	TPL 04.00.12SF

